

The home of the turntable

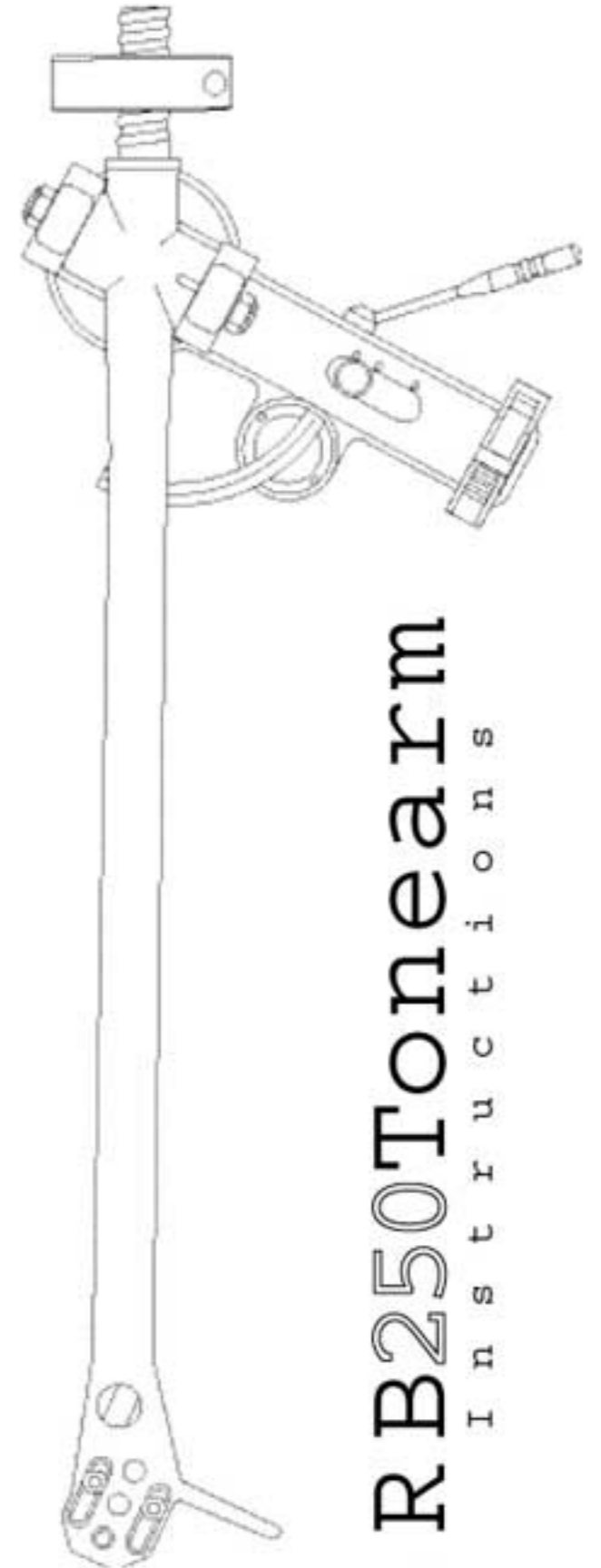
THE VINYL ENGINE[®]

For more turntable manuals and setup information
please visit www.vinylengine.com

rega

Precision crafted by Rega Research Limited., England
www.rega.co.uk

Rega Research Ltd
119 Park Street
Westcliff-on-Sea
Essex, SSO 7PD



RB250Tonearm
I n s t r u c t i o n s

Tonearm fitting Instructions

The **RB250** is one of the most popular tonearms in the World. It is fitted as standard to the famous Rega P2 turntable and is also the choice of many other turntable manufacturers on an OEM basis. You will see a photograph most months in nearly all hi-fi magazines globally of a Rega built tonearm.

The Rega **RB250** tonearm is a precision crafted product. To create the low friction levels and meet minimum mass requirements many parts of the arm are delicate and require careful handling. The arm should always be treated with respect



and under no circumstances should any part be removed or tampered with.

Fitting

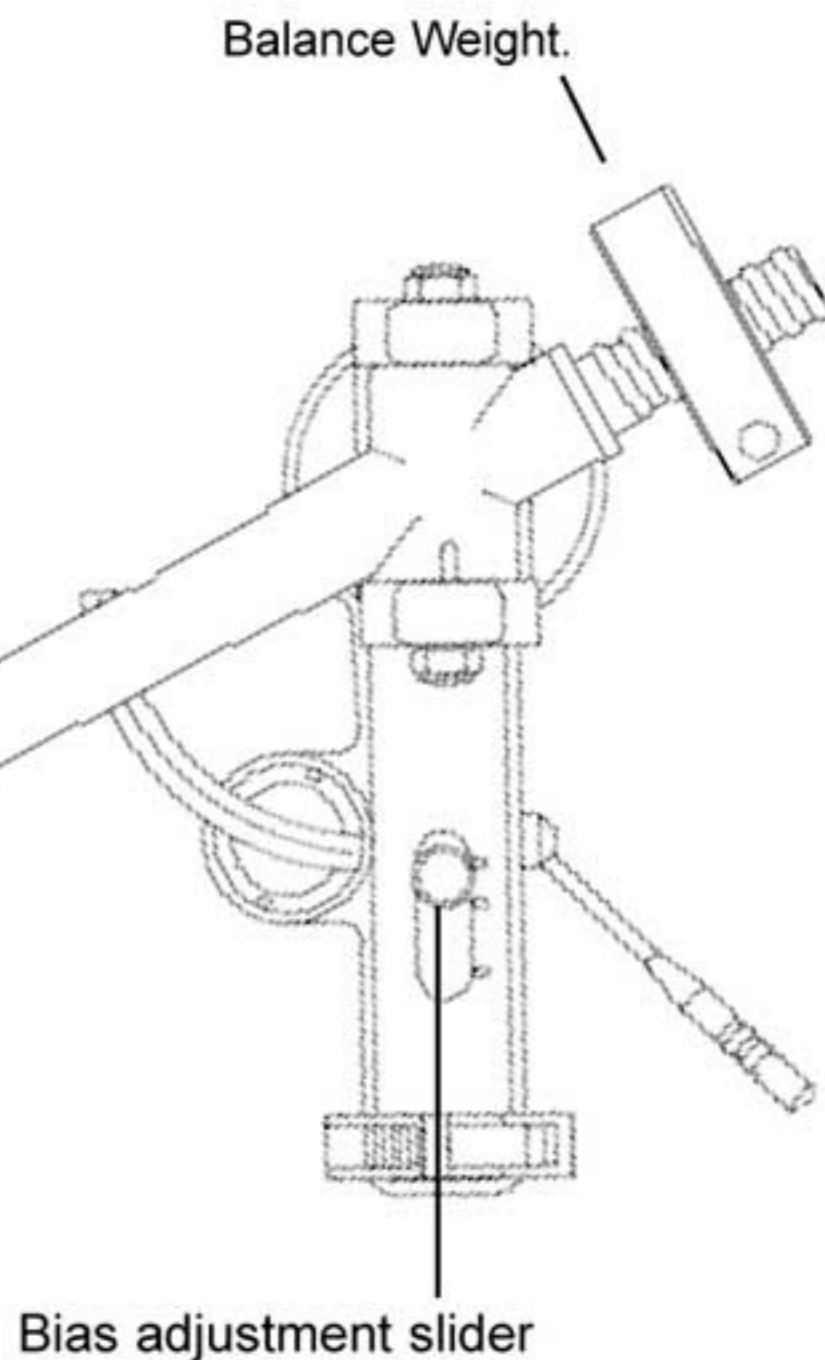
With the cartridge fitted and aligned using the alignment protractor supplied, ensure that the bias adjustment slider is set to zero. Screw the balance weight along its shaft until the stylus is "floating" just 1mm clear of the record.

The recommended tracking force can now be applied by rotating the balance weight so that it moves towards the front of the arm. A half turn gives 1g tracking force. The black plastic plugs on the weight can be used to use a force which corresponds to the upper limit of the cartridge makers recommended range.

Set the bias adjustment slider to the same number as the tracking force control -

i.e. 1 1/2 g tracking force = 1 1/2 on the bias slider.

Your **RB250** is now ready for use.



Alignment protractor



Finally, we would like to thank you for purchasing our product and we wish you many happy hours of musical enjoyment.

Long live vinyl!